

Kuhinja "IN" D80S

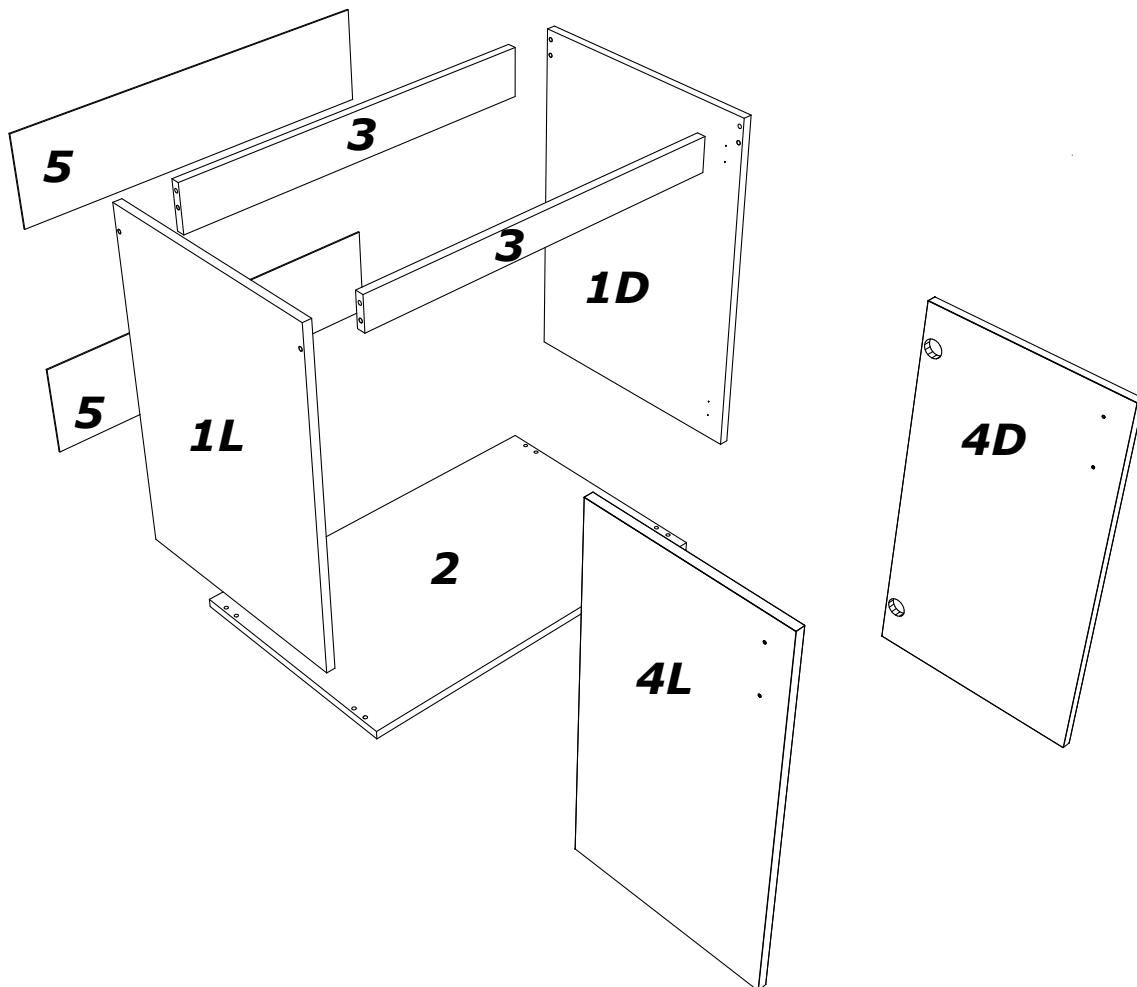
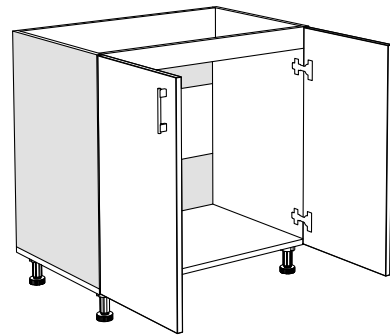
Matis

N A M E Š T A J • www.matis.rs

Senjak bb*32250 Ivanjica*Srbija

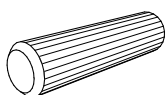
Tel:032 651 159* Fax:032 651 060

office@matic.rs*veleprodaja@matic.rs*www.matis.rs

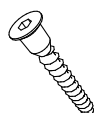


1L - leva bočna stranica
1D- desna bočna stranica
2 -pod
3 -veza

4L - levi front
4D - desni front
5 - lesonit



A



B

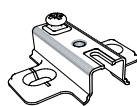


C

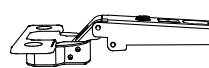


4x16mm

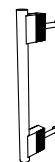
D



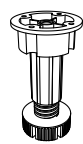
E



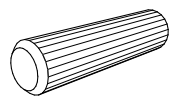
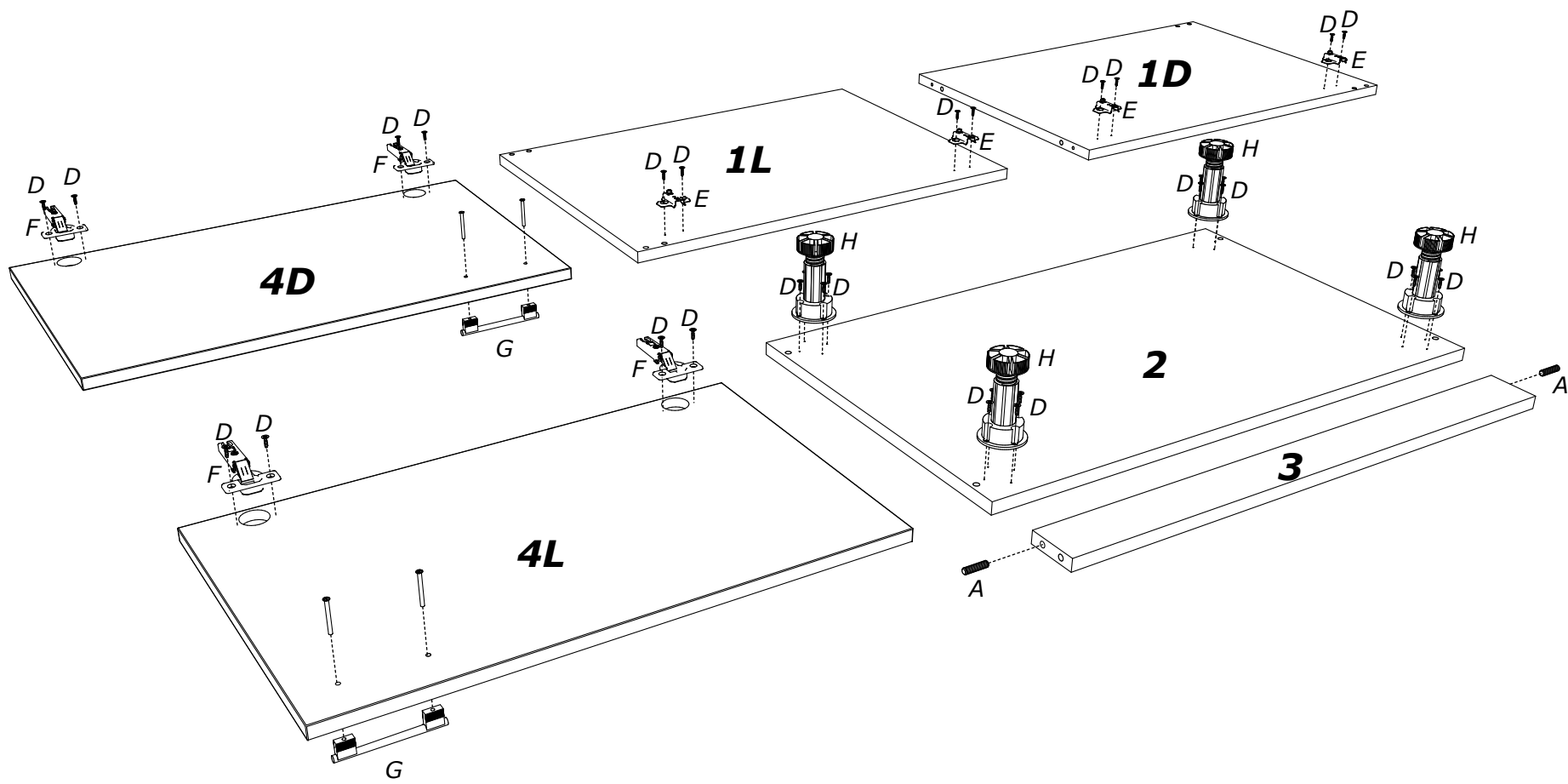
F



G



H

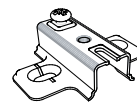


A

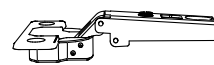


4x16mm

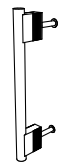
D



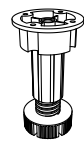
E



F

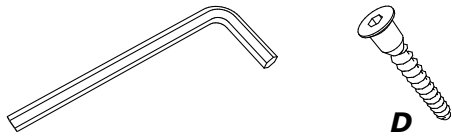
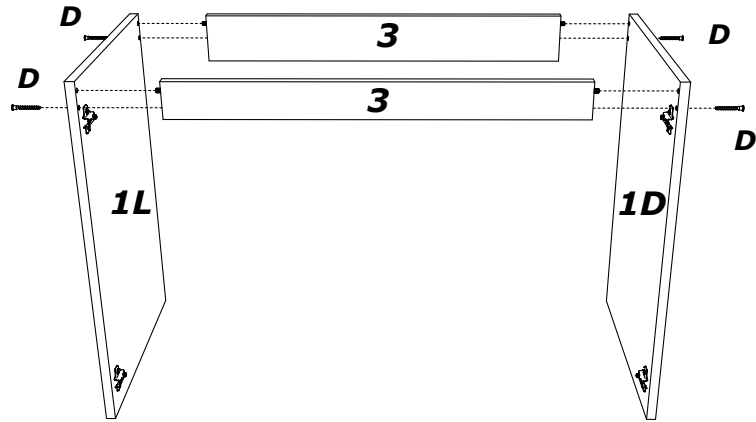


G

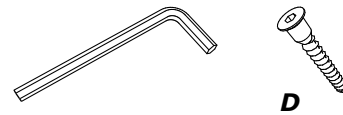
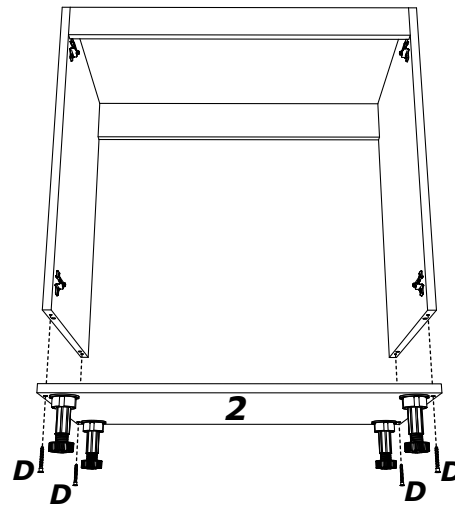


H

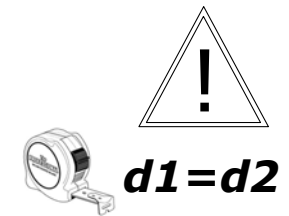
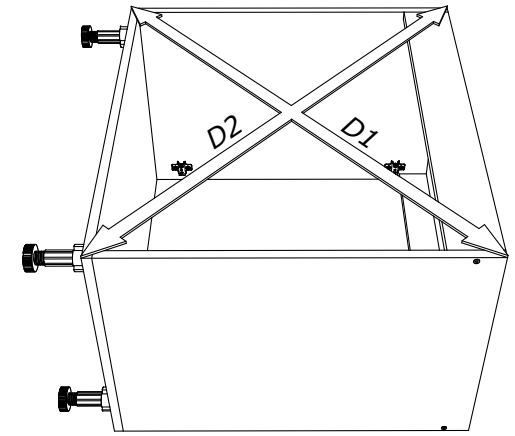
a)



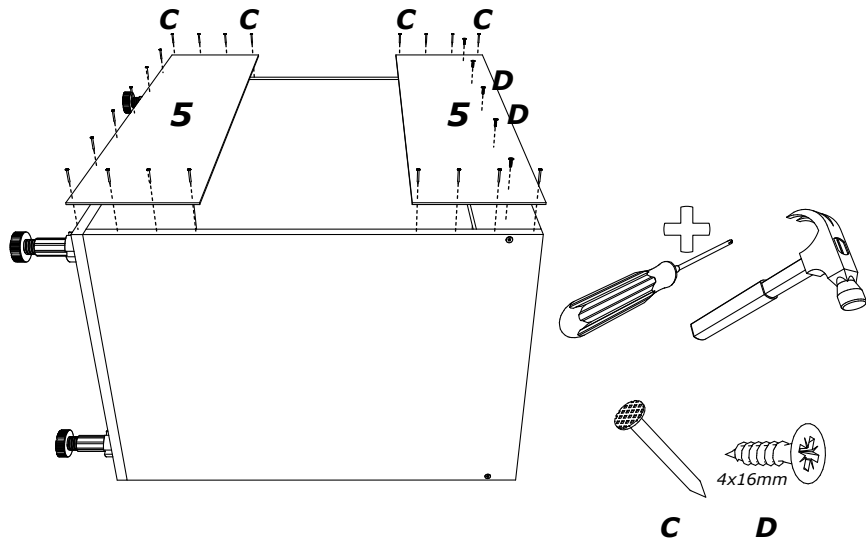
b)



c)



d)



e)

